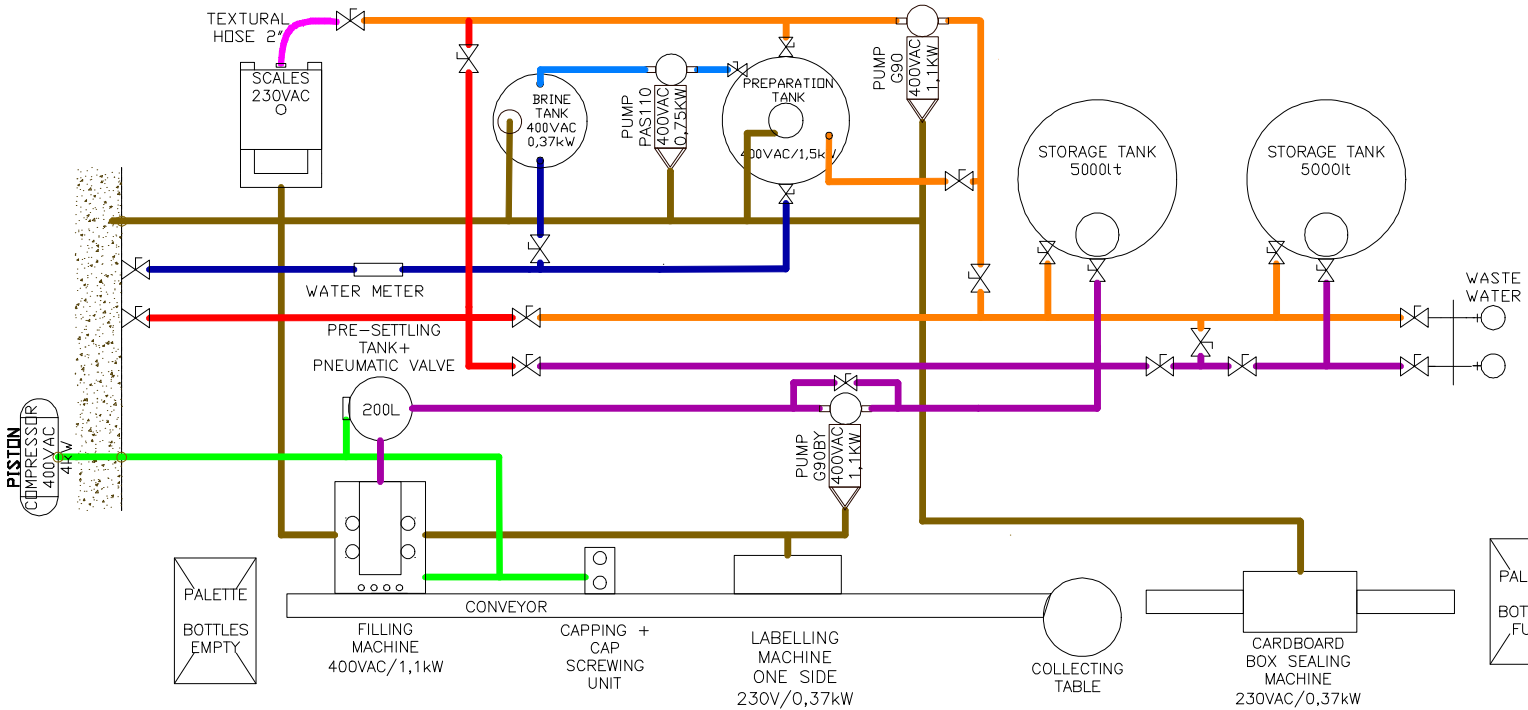


Option III

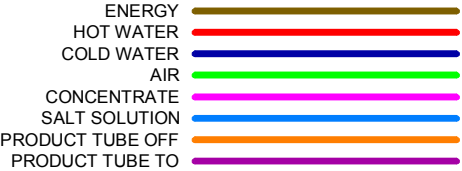


BEFA Handelsgesellschaft m.b.H.
 Raffelspergergasse 54
A-1190 Vienna / Austria

Production / Factory
 A-2061 Hadres 115 / Austria

Phone: +43 1 4790208
 Fax: +43 1 4790208 17

e-mail: office@befa.net
 http://www.befa.net



EQUIPMENT OF LIQUID PRODUCTION



OPTION III

Certified DIN EN ISO 9002

Technical data:

<u>production area</u>		<u>filling line</u>	
1 unit	Preparation tank 2000 litres including paddelstirrer and geared motor	1 unit	volumetric filler with 4 dosage cylinders
1 unit	Brine-Tank with stirrer and motor	1 unit	presettling tank with level regulator and pneumatic valve
1 unit	pump G 90 for high viscosity	6 m	conveyor
1 unit	pump PAS 110, brine pump	1 unit	capper
1 unit	Electronic container weighing scale max. 1500 kg	1 unit	pneumatic screwer
1 unit	watermeter	1 unit	labelling machine (one side)
3 m	2" textural hose	1 unit	collecting table
1 set	pipng incl. valves	1 unit	cardboard box sealing machine
		1 unit	piston compressor
<u>storage area</u>			
2 units	VA2 storage tanks, 5000 L each		
1 unit	pump G90 BY, for high viscosity, incl. ByPass		
6 m	1" textural hose		
	pipng incl. valves		
	fastening and support material		