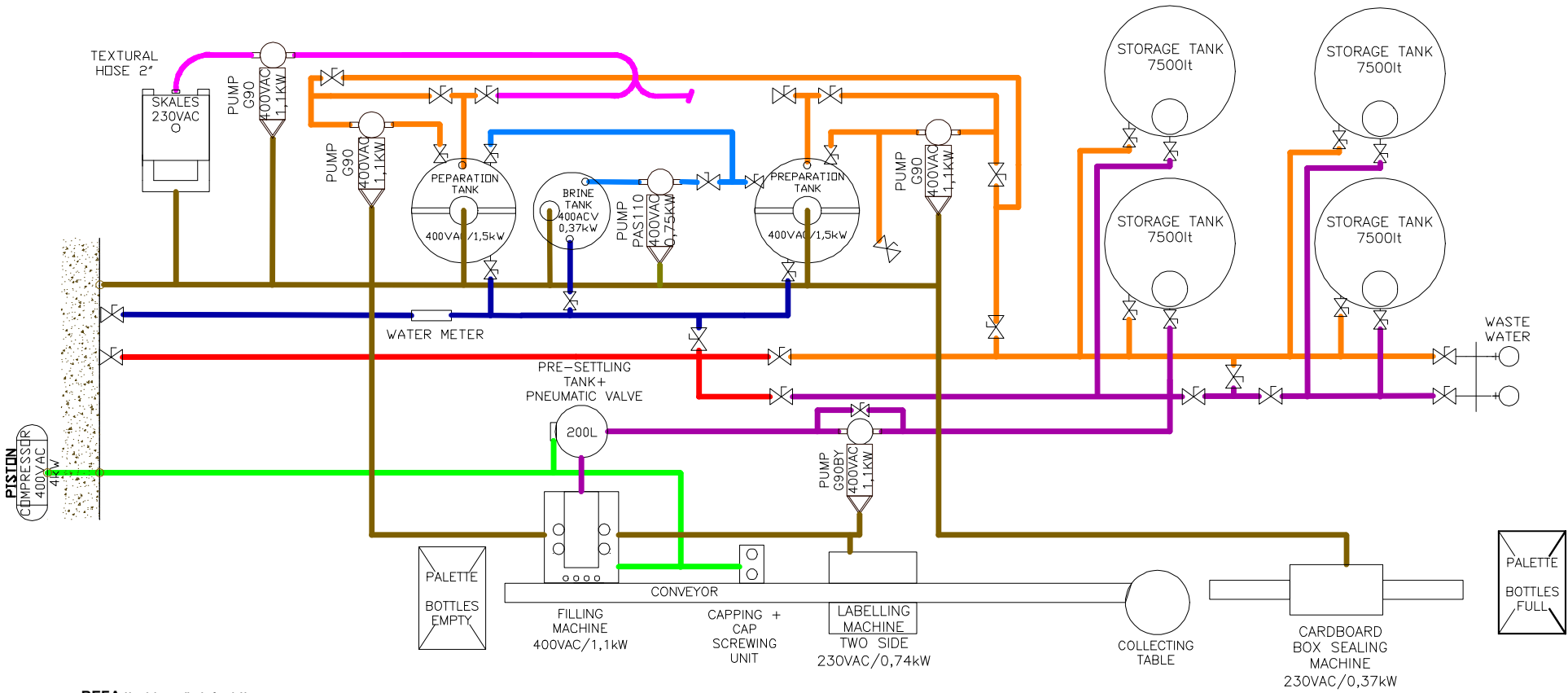


Option I



BEFA Handelsgesellschaft m.b.H.
 Raffelspergasse 54
 A-1190 Vienna / Austria

Production / Factory
 A-2061 Hadres 115 / Austria

Phone: +43 1 4790208
 Fax: +43 1 4790208 17

e-mail: office@befa.net
 http://www.befa.net

- ENERGY —————
- HOT WATER —————
- COLD WATER —————
- AIR —————
- CONCENTRATE —————
- SALT SOLUTION —————
- PRODUCT TUBE OFF —————
- PRODUCT TUBE TO —————

EQUIPMENT OF LIQUID PRODUCTION

BEFA **OPTION I**

Certified DIN EN ISO 9002

Technical data:

production area		filling area	
2 units	Preparation tanks, 2000 litres each including paddelstirrer and geared motor	1 unit	volumetric filler with 4 dosage cylinders
1 units	Brine-Tank with stirrer and motor	1 unit	Presettling tank with level regulator , pneumatic valve
3 units	pumps G 90 for high viscosity	6 m	conveyor
1 unit	pump PAS 110, brine pump	1 unit	capper
1 unit	Electronic container weighing scale	1 unit	pneumatic screwer
1 unit	watermeter	1 unit	labelling machine (two sides)
3 m	2" textural hose	1 unit	collecting table
1 set	pipng incl. valves	1 unit	cardboard box sealing machine
storage area		1 unit	piston compressor
4 units	VA2 storage tanks, 7500 L each		
1 unit	pump G90 BY, for high viscosity, incl. ByPass		
6 m	1" textural hose		
	pipng incl. valves		
	fastening and support material		