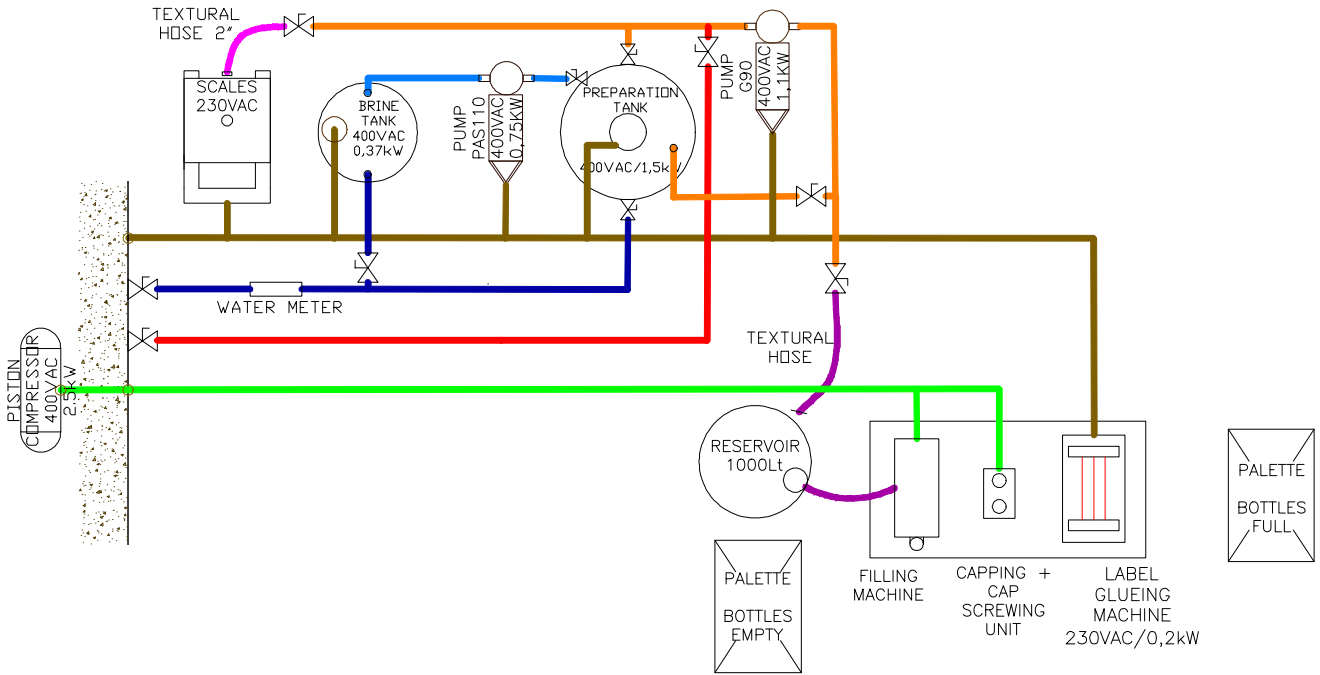


# Option V

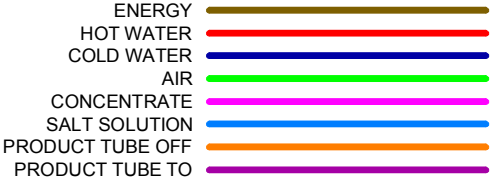


**BEFA** Handelsgesellschaft m.b.H.  
 Raffelspergasse 54  
**A-1190 Vienna / Austria**

Production / Factory  
 A-2061 Hadres 115 / Austria

Phone: +43 1 4790208  
 Fax: +43 1 4790208 17

e-mail: office@befa.net  
 http://www.befa.net



EQUIPMENT OF LIQUID PRODUCTION



**OPTION V**

Certified DIN EN ISO 9002

## Technical data:

<b>production area</b>		<b>filling equipment</b>		
1	units	Preparation tank, 2000 litres including paddelstirrer and geared motor	1 unit	Filling machine, pneumatic with 1 dosage cylinder
1	unit	Brine-Tank with stirrer and motor	1 unit	Reservoir 1000l
1	units	pumps G 90 for high viscosity	1 unit	Semiautomatic label toner
1	unit	pump PAS 110, brine pump	1 unit	Capping unit
1	unit	Electronic container scale	1 unit	Cap screwing unit
1	unit	Watermeter	1 unit	Piston compressor
3	m	2" textural hose		
		pipng incl. valves		